

# Accessories LEAF SPRING EYE BOLT KITS, INDIVIDUAL U-BOLTS

## LEAF SPRING EYE BOLT KITS

Application	Year	Front Part #	Rear Part #	Both Front & Rear	Notes
Chevy Blazer, Jimmy, Suburban	73-87	121004	121009		1
Chevy 1/2, 3/4 Ton Pickup	73-87	121004	121009		1
Chevy Blazer, Jimmy, Suburban	88-91	121005	121009		1
Jeep Wrangler YJ	87-95			124008	2
Jeep J10, 20 FS Wagoneer/Cherokee	74-90	121009	121009		1

All bolt kits come with Grade 8 bolts, thru-hardened washers, and prevailing torque nuts. All fasteners are yellow zinc plated.

### Notes

1. Kit includes 4 spring eye bolts with nuts and washers.
2. Kit includes 8 spring eye bolts with nuts and washers.



## INDIVIDUAL U-BOLTS

Part #	Diameter	Width	Length	Shape
040001	1/2"	2-1/2"	6-3/4"	Round
040004	1/2"	2-3/4"	5-1/2"	Round
040005	1/2"	2-3/4"	6-1/2"	Round
040007	1/2"	2-3/4"	8-1/2"	Round
040009	1/2"	2-3/4"	11"	Round
040010	1/2"	2-3/4"	12-1/2"	Round
040011	1/2"	2-3/4"	14"	Round
040012	1/2"	3"	6-3/4"	Round
040013	1/2"	3"	8-1/2"	Round
040015	1/2"	3"	11-1/2"	Round
040016	1/2"	3-1/4"	7"	Round
040017	1/2"	3-1/2"	4-1/2"	Round
040018	5/8"	2-3/4"	8"	Round
040019	5/8"	2-9/16"	12"	Square
040020	5/8"	3"	8"	Round
040021	5/8"	3"	10"	Round
040022	5/8"	3"	12"	Round
040024	5/8"	3"	14-1/2"	Round
040025	9/16"	3-1/2"	10-1/2"	Round
040026	5/8"	3-1/2"	14-1/2"	Round
040029	5/8"	3-1/4"	10-1/2"	Round
040032	5/8"	3-5/8"	10"	Round
040033	5/8"	3-5/8"	12"	Round
040034	5/8"	3-5/8"	15"	Round
040035	5/8"	3-5/8"	18-1/2"	Round
040036	9/16"	2-1/2"	8-3/4"	Square
040037	9/16"	2-1/2"	10"	Square
040038	9/16"	2-1/2"	14"	Square
040039	9/16"	2-1/2"	7"	Square
040040	9/16"	2-1/2"	7"	Round
040041	9/16"	2-3/4"	7"	Round
040042	9/16"	2-9/16"	15"	Square
040043	9/16"	3-1/8"	10-1/2"	Square
040044	9/16"	3-1/8"	11"	Radius
040144	9/16"	3-1/8"	12-1/2"	Square
040045	9/16"	2-9/16"	11-3/8"	Square
040145	9/16"	2-9/16"	12-1/2"	Radius
040046	9/16"	3-1/8"	9-1/2"	Radius
040047	9/16"	3"	7-1/2"	Round
040048	9/16"	3"	9-1/2"	Round

Part #	Diameter	Width	Length	Shape
040049	9/16"	3-1/8"	15"	Square
040050	9/16"	3-1/8"	18"	Square
040051	9/16"	3-1/4"	10"	Round
040052	9/16"	3-1/4"	14"	Round
040053	9/16"	3-1/8"	9"	Square
040054	9/16"	3-1/2"	9-1/2"	Round
040055	9/16"	3-3/4"	9-5/8"	Round
040056	9/16"	3-5/16"	14-3/4"	Round
040057	9/16"	3-5/16"	8"	Round
040059	9/16"	3-1/4"	12-1/2"	Round
040060	9/16"	3"	11"	Round
040061	9/16"	3-1/4"	10"	Square
040062	9/16"	3-7/8"	12-1/2"	Round
040063	9/16"	3-7/8"	14-1/2"	Round
040064	9/16"	3-1/2"	12-1/2"	Round
040065	9/16"	3-1/2"	14-1/2"	Round
040066	9/16"	3-7/8"	16-1/2"	Round
040067	9/16"	4-1/8"	12-1/2"	Round
040068	9/16"	4-1/8"	16-1/2"	Round
040075	3/8"	2-3/4"	3-3/4"	Round
040079	3/8"	3-1/2"	4-3/4"	Round
040080	3/8"	3-1/4"	3-3/4"	Round
040081	3/8"	3"	4"	Round
040082	5/16"	1-1/4"	2"	Round
040083	5/16"	1-1/2"	2-1/4"	Round
040084	7/16"	4-1/4"	4-3/4"	Square
040085	7/16"	4-1/4"	4-3/4"	Round
040090	7/16"	6-1/4"	4-1/8"	Square
040091	7/16"	7-5/8"	4-1/8"	Square
040086	5/16"	1"	1-3/4"	Round
040230	3/4"	3-1/4"	13-1/2"	Square
040231	3/4"	3-1/4"	15-1/2"	Square
040234	3/4"	3-5/8"	15"	Round
040235	3/4"	3-5/8"	18-1/2"	Round
040268	3/4"	4"	16"	Round
040269	3/4"	4"	18-1/2"	Round

### Notes

1. All components are yellow zinc plated
2. All 1/2", 9/16", and 5/8" u-bolts come with high nuts and washers. All 5/16", 3/8", and 7/16" u-bolts come with prevailing torque nuts and washers.

# Accessories STEERING/PITMAN ARMS, TRACK BAR RELOCATION KITS

ACCESSORIES

## STEERING/PITMAN ARMS

Application	Year	Description	Part #	Notes
<b>CHEVY</b>				
Blazer, Jimmy, Suburban.....	73-91	Steering Arm .....	081401	
Blazer, Jimmy, Suburban.....	73-91	Adjustable Drag Link .....	081402	1
GM Pickup 1/2, 3/4 Ton .....	73-87	Steering Arm .....	081401	
GM Pickup 1/2, 3/4 Ton .....	73-87	Adjustable Drag Link .....	081402	1
GM Pickup 1/2, 3/4 Ton .....	73-87	Steering Block.....	082501	2
<b>DODGE</b>				
Dodge 2500, 3500 .....	09-12	Pitman Arm.....	082404	
Dodge 2500, 3500 .....	03-08	Pitman Arm.....	082403	
Dodge Full Size (PS).....	00-01	Pitman Arm.....	082402	
Dodge Full Size (PS).....	94-99	Pitman Arm.....	082401	
Dodge 3" Steering Block .....	69-93	Steering Block.....	082501	2
<b>FORD</b>				
F-250, 350 Super Duty .....	05-12	Pitman Arm.....	083404	
F-250, 350 Super Duty .....	99-04	Pitman Arm.....	083403	3
Ranger (PS).....	83-97	Pitman Arm.....	083401	
Bronco (PS).....	80-96	Pitman Arm.....	083401	
F-100, F-150, F-250 (PS) .....	80-96	Pitman Arm.....	083401	
F-100, F-150, Bronco (PS) .....	78-79	Pitman Arm.....	083402	
<b>JEEP</b>				
Wrangler JK.....	07-12	Pitman Arm.....	084402	
Wrangler YJ, TJ (PS).....	87-06	Pitman Arm.....	084404	
Cherokee XJ.....	84-01	Pitman Arm - Extreme Drop .....	084601	
Grand Cherokee WJ.....	99-04	Pitman Arm.....	084403	
Grand Cherokee ZJ.....	93-98	Pitman Arm - Extreme Drop .....	084601	
J10, J20, Cherokee .....	74-90	Pitman Arm.....	083402	4
CJ5, CJ7 (PS).....	76-86	Pitman Arm.....	084401	
<b>IMPORTS</b>				
Suzuki Samurai .....	85-95	Pitman Arm.....	087401	

**Notes**

1. Tie Rod Ends on adjustable drag link are not covered under warranty. These are a wear item and are available separately #081403.
2. #082501 3" Steering Block fits all open knuckle, 3-bolt Dana 44 or Corporate axles including Dodge, GMC, and pre-1980 Ford F-250.
3. Does not fit production codes prior to 3-1-99. (Use #083401).
4. Increases turning radius on this application (cannot turn as sharp).

## TRACK BAR RELOCATION KITS

Application	Year	Part #	Lift
<b>DODGE</b>			
Dodge 1/2 Ton Pickup .....	94-01	122502	5"
Dodge 3/4 Ton .....	94-02	122311	3"
Dodge 3/4 Ton .....	03-07	122312	3"
Dodge 3/4 Ton .....	03-07	122601	6"
Dodge 3/4 Ton .....	08-12	122313	3"
Dodge 3/4 Ton .....	08-12	122621	6"
<b>FORD</b>			
Ford F-100/150 4WD.....	73-79	123001	4", 6"
Ford F-250/350.....	08-12	123412	4", 6"
Ford F-250/350.....	08-12	123802	8"
Ford F-250/350.....	05-07	123010	4", 6"
Ford F-250/350.....	05-07	123801	8"
Ford F-250/350.....	3-1-99 to 04	123201	2"
Ford F-350**.....	86-97	123407	4"
Ford Super Duty .....	3-1-99 to 04	123250	2.5"
Ford Super Duty .....	3-1-99 to 04	123405	4"
Ford Super Duty .....	3-1-99 to 04	123602	6", 8"
Ford Super Duty .....	up to 2-28-99	123404	4"
Ford Super Duty .....	up to 2-28-99	123601	6", 8"
<b>JEEP</b>			
Jeep Wrangler JK (Rear).....	07-12	124308	2" & 3"
Jeep Wrangler JK (Front).....	07-12	124452	4.5"
Jeep Wrangler JK (Rear).....	07-12	124457	4.5"
Jeep Wrangler TJ (Rear).....	97-06	124303	3"
Jeep Wrangler TJ (Rear).....	97-06	124459	4.5"
Jeep Wrangler YJ*.....	87-95	124004	2" & 3.5"
Jeep Wrangler YJ (Front).....	87-95	124501	5"-6"
Jeep Cherokee XJ/MJ .....	84-01	124007	3"
Jeep ZJ.....	93-98	124007	3"
Jeep ZJ (Rear).....	93-98	124209	2"
Jeep Grand Cherokee WJ.....	99-04	124402	4"

Note: All kits are designed for a specific lift height and should ONLY be used with the above kits.

\* #124004 contains front and rear brackets.

\*\* With monobeam front axle.



# Accessories SHIMS, HENDRICKS CLAMPS, ALIGNMENT CAMS

**ACCESSORIES**



## SHIMS

Part #	Description
228000	2" x 4 Degree Shim
228001	2.5" x 4 Degree Shim
228006	2.5" x 6 Degree Shim
228013	3" x 4 Degree Shim
228015	3" x 4 Degree Shim (Dual Center Pin)
228016	3" x 4 Degree Shim (Triple Center Pin)

*Note: Shims are designed to be bolted to springs.  
Order center pins separately.*



## HENDRICKS CLAMPS

Description	4/PKG Part #
2" Wide Spring Clamp	228007
2.5" Wide Spring Clamp	228008
3" Wide Spring Clamp	228009
2.5" Bolt Type Spring Clamp	228010
3" Bolt Type Spring Clamp	228011

## COIL SPRING CLIPS

Description	2/PKG Part #
Coil Spring J Clip	123003

## CENTER PINS

Description	PAIR Part #
5/16" x 4" Center Pins	228002
3/8" x 4" Center Pins	228003
7/16" x 4" Center Pins	228005
7/16" x 6" Center Pins	228012
1/2" x 4" Center Pins	228014

*Note: Packaged center pins include nuts.*



## ALIGNMENT CAMS

Year Range	Description	Part #	Camber/Caster Adjustment	EACH Style
<b>DODGE</b>				
1994-02	Dodge 2500, 3500 4WD	129100	0- 2 3/4 Degrees	Ball Joint Cam
1994-02	Dodge 2500 2WD Trucks	129100	0- 2 3/4 Degrees	Ball Joint Cam
<b>FORD</b>				
1980-95	Ford F-150 & Bronco 4WD	129100	0- 2 3/4 Degrees	Ball Joint Cam
1997-03	Ford F-150	129104		Cam "D" Bolts
1980-04	Ford F-250 & F-350 4WD	129100	0- 2 3/4 Degrees	Ball Joint Cam
1983-89	Ford Ranger/Bronco II 4WD	129101	0- 3 1/8 Degrees	Ball Joint Cam
1990-91	Ford Bronco II 4WD & 2WD	129102	0- 1 3/4 Degrees*	Ball Joint Cam
1989-94	Ford Ranger 2WD	129102	0- 1 3/4 Degrees	Ball Joint Cam
1989-95	Ford Ranger 4WD	129102	0- 1 3/4 Degrees	Ball Joint Cam
1991-94	Ford Explorer 4WD & 2WD	129102	0- 1 3/4 Degrees	Ball Joint Cam
1987-95	Ford F-150, F-250, F-350 2WD	129102	0- 2 1/2 Degrees	Ball Joint Cam
2005-12	Ford F-250, F-350 4WD	129105	2 Degrees Fixed	Ball Joint Cam
<b>JEEP</b>				
2007-12	Jeep JK Front Lower Cam Bolts	124312		Cam "D" Bolts
1997-06	Jeep TJ Front Control Arm Cam Bolts	124311		Cam "D" Bolts
1997-06	Jeep TJ Rear Upper Pinion Cam Bolts	124319		Cam "D" Bolts
1993-98	Jeep ZJ Grand Cherokee	124311		Cam "D" Bolts
<b>MAZDA</b>				
1994-97	B-Series Pickup	129102	0- 2 1/2 Degrees	Ball Joint Cam

*\*Early '90 models may require #129101  
Note: Order 2 each per vehicle.*

# Accessories SWAY BAR DISCONNECTS, DROP BRACKET KITS



## Ultimate Sway Bar Disconnects Feature:

- One handed operation to disconnect your sway bar
- Lower ball & socket joint allows you to connect or disconnect your sway bar easily
- Urethane hourglass upper bushing allows for a controlled flex
- Lanyard included to retain sway bar when disconnected
- Adjustable length to fine tune your sway bar angle
- Stress proof material used for ball & socket joint
- Coil is pre-loaded to eliminate any rattle
- Stainless steel coil spring
- No loose parts
- We thought of everything



124010  
Rebuild Kit



## ANTI-SWAY BAR LINK KITS / DROP BRACKET KITS

Description	Year	Part #	Lift	Length	Type	Location
<b>CHEVY</b>						
Chevy 1/2 Ton.....	99-06	121623	4.5-6"	12.5" mount-to-mount	Solid	Front
Chevy 1/2 Ton (6 Lug).....	88-98	121631	6"	6.5" mount-to-mount	Solid	Front
Chevy 3/4 Ton HD.....	01-10	121701	5-7"	12.5" mount-to-mount	Solid	Front
Chevy 1/2, 3/4 Ton.....	73-87	121632	6-8"	4" mount-to-mount	Solid	Front
Chevy S-Series—Eye to Eye.....	95-04	121507	5"	13" eye-to-eye	Solid	Rear
Chevy S-Series—Stem to Eye.....	95-04	121508	5"	5.5" extension	Solid	Rear
<b>DODGE</b>						
Dodge Ram 1500.....	02-12	122003	4-6"		Extension	Front
Dodge 1500.....	94-01	121451	5"		Drop Bracket	Front
Dodge 2500/3500.....	09-12	123411	4-6"		Drop Bracket	Front
Dodge 2500/3500.....	03-08	122310	3"		Extension	Front
Dodge 2500/3500.....	03-08	122003	6"		Extension	Front
Dodge 2500/3500.....	94-02	121451	6"		Drop Bracket	Front
<b>FORD</b>						
Ford F-250, 350.....	08-12	123411	4"		Drop Bracket	Front
Ford F-250, 350.....	08-12	121451	6-8"		Drop Bracket	Front
Ford F-250, 350.....	08-12	123009	6-8"	18" mount-to-mount	Solid	Rear
Ford F-250, 350.....	05-07	123413	4-6"		Drop Bracket	Front
Ford F-250, 350.....	00-04	123005	4"	15.5" eye-to-eye	Solid	Rear
Ford F-250, 350.....	1999	123002	2.5"	11" eye-to-eye	Solid	Front
Ford F-250, 350.....	1999	123004	4"	13.5" eye-to-eye	Solid	Front
F-150.....	97-03	123604	6"	10.5" mount-to-mount	Solid	Front
F-150 / Bronco.....	80-96	123401	4-6"		Drop Bracket	Front
Ford F-100, F-150.....	73-79	123403	4-6"	12.5" eye-to-mount	Solid	Front
<b>JEEP</b>						
Jeep Wrangler JK.....	07-12	124320	3-4.5"	9" eye-to-eye	Solid	Front
Jeep Wrangler JK.....	07-12	124321	5.5-6.5"	11.5" eye-to-eye	Solid	Front
Jeep Wrangler JK.....	07-12	124310	2-4.5"		Ultimate	Front
Jeep Wrangler JK.....	07-12	124603	5.5-6.5"		Ultimate	Front
Jeep Wrangler JK.....	07-12	124329	3"		Drop Bracket	Rear
Jeep Wrangler JK.....	07-12	124456	4-4.5"	11" eye-to-eye	Solid	Rear
Jeep Wrangler JK.....	07-12	124609	5.5-6.5"		Drop Bracket	Rear
Jeep Wrangler TJ.....	97-06	124451	0-2"		Ultimate	Front
Jeep Wrangler TJ.....	97-06	124306	0-2"		Solid	Front
Jeep Wrangler TJ.....	97-06	124313	2-3"	10.5" eye-to-mount	Solid	Front
Jeep Wrangler TJ.....	97-06	124309	2-3"	9.75" eye-to-eye	Solid	Rear
Jeep Wrangler TJ.....	97-06	124652	3-4.5"		Ultimate	Front
Jeep Wrangler TJ.....	97-06	124458	4.5"	11" eye-to-eye	Solid	Rear
Jeep Wrangler TJ.....	97-06	124651	6.5"		Ultimate	Front
Jeep Wrangler YJ.....	87-95	124001	3.5-4.5"	11" eye-to-eye	Solid	Front
Jeep Wrangler YJ.....	87-95	124352	3.5"		Ultimate	Front
Jeep Wrangler YJ.....	87-95	124503	4.5-6"		Ultimate	Front
Jeep Wrangler YJ.....	87-95	124013	5-6"	13" eye-to-eye	Solid	Front
Jeep CJ5, CJ7.....	76-86	124002	4"	9.75" eye-to-eye	Solid	Front
Jeep Cherokee XJ.....	84-01	124306	3"	10.25" eye-to-mount	Solid	Front
Jeep Cherokee XJ.....	84-01	124451	3-4.5"		Ultimate	Front
Jeep Cherokee XJ.....	84-01	124652	6.5"		Ultimate	Front
Jeep Grand Cherokee ZJ.....	93-98	124306	3"	10.25" eye-to-mount	Solid	Front
Jeep Grand Cherokee ZJ.....	93-98	124451	3-4.5"		Ultimate	Front
Jeep Grand Cherokee WJ.....	99-04	124409	4"		Solid	Rear
Jeep Grand Cherokee WJ.....	99-04	124306	2-4"		Solid	Front
Jeep Grand Cherokee WK.....	05-07	124412	4"	13" eye-to-eye	Solid	Front
<b>TOYOTA</b>						
FJ Cruiser.....	07-09	128309	3"		Solid	Rear

# Accessories JEEP CONTROL ARMS

Application Type

## Jeep Grand Cherokee JK

### Front Upper

124434	Adjustable with Standard Ends	08JK361
124435	Adjustable with Flex Ends	07JK312

### Rear Upper

124448	Adjustable with Standard Ends	59JK742
124418	Adjustable with Flex Ends	59JK992

### Front Lower

124430	Fixed Length	69JK581
124433	Adjustable with Standard End	68JK772
124432	Adjustable with Flex End	05JK192

### Rear Lower

124439	Fixed Length	08JK871
124437	Adjustable with Standard End	06JK722
124436	Adjustable with Flex End	52JK172

## Jeep Wrangler TJ

### Front Upper

124411	Fixed Length	28JK501
124414	Adjustable with Standard Ends	64JK902
124424	Adjustable with Flex End	99JK932

### Rear Upper

124419	Fixed Length	59JK741
124418	Adjustable with Standard Ends	27JK322
124428	Adjustable with Flex End	99JK942

### Front & Rear Lower

124307	Fixed Length	11JK761
124416	Adjustable with Standard Ends	68JK952
124426	Adjustable with Flex End	59JK992

## Jeep Cherokee XJ

### Front Upper

124411	Fixed Length	28JK501
124414	Adjustable with Standard Ends	64JK902
124424	Adjustable with Flex End	99JK932

### Front Lower

124317	Fixed Length	42JK261
124415	Adjustable with Standard Ends	68JK952
124422	Adjustable with Flex End	59JK992

## Jeep Grand Cherokee ZJ

### Front Upper

124411	Fixed Length	28JK501
124414	Adjustable with Standard Ends	64JK902
124424	Adjustable with Flex End	99JK932

### Rear Upper

124419	Fixed Length	59JK741
124418	Adjustable with Standard Ends	27JK322
124428	Adjustable with Flex End	99JK942

### Front Lower

124307	Fixed Length	11JK761
124416	Adjustable with Standard Ends	68JK952
124426	Adjustable with Flex End	59JK992

### Rear Lower

124416	Adjustable with Standard Ends	68JK952
124426	Adjustable with Flex End	59JK992



124307 - Lower Fixed Arms

### 124307 - Lower Arms Feature

- 1/4" wall - 1-3/4" O.D. center tube
- Formed arms to increase droop
- 5/16" wall D.O.M. sleeves to lock the control arms in place
- Internally and externally fluted urethane bushings to reduce noise and properly distribute grease
- Increased length to work with 2"-3" of lift



124416 - Lower Adjustable Arms

### 124416 - Lower Adjustable Arm Features

- 1-1/4" solid threaded rod
- Full adjustment for 2" to 6-1/2" of lift
- Greaseable end with internal and external fluted urethane bushings
- 5/16" wall D.O.M. sleeves used to lock the control arms in place and better load distribution on O.E. pockets
- 1-3/4" O.D. with 1/4" well



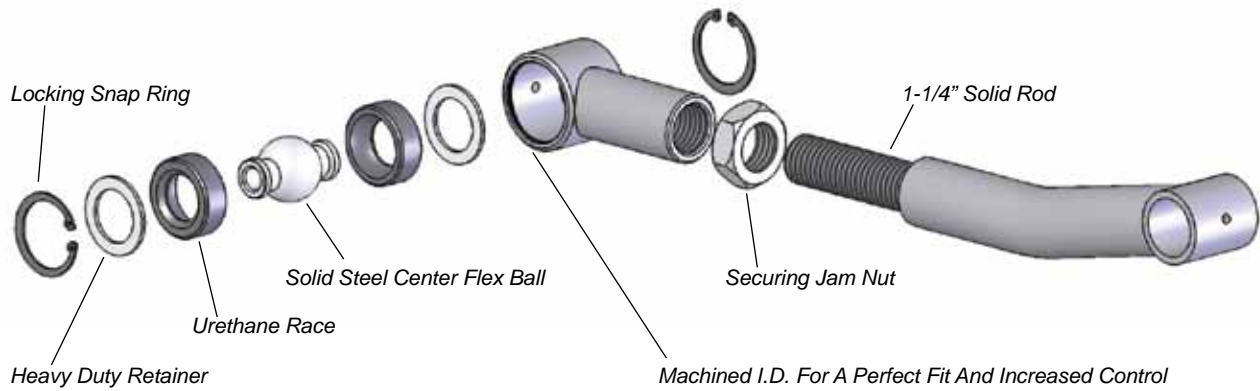
124426 - Lower Adjustable Flex Arms

### 124426 - Lower Adjustable Flex Arm Features

- All the same features of the standard adjustable arms plus;
- Easily rebuildable flex end
- 15° of twist allowed to increase droop and compression without transferring rotational load to your O.E. control arm pockets
- Center steel ball is controlled by urethane races to absorb shock and vibration while increasing offroad performance

# Accessories BDS FLEX ARMS

ACCESSORIES



### Upgrade Flex Kit

- Upgrade any BDS adjustable control arms to flex arms - 2 flex ends included
- 124023 Lower Arm Upgrade Kit  
66JK031
- 124024 Upper Arm Upgrade Kit  
27JK301

### Fabricators Kit

- Weld on fabricator kit - All the parts to add a flex end to your own arms - 2 flex eyes included
- 124028 Large Flex End 05JK67  
124029 Small Flex End 08JK17

### Rebuild Kit

- BDS flex ends are easily re-buildable. This kit includes new urethane races, snap rings, and retaining washers - Rebuilds 2 eyes
- 124030 Large Eye 83JK72  
124031 Small Eye 82JK52



124023 - Lower Arm Upgrade Kit



124028 - Large Flex End Fabricators Kit



124030 - Large Eye Rebuild Kit

### Fabricating Information

	Opening Width Req'd	Eye O.D.	Bolt Size
Large Flex End	2-5/8"	2-1/2"	9/16"
Small Flex End	2"	2"	7/16"

## Accessories GM FRAME SUPPORT, TRANSFER CASE DROP KITS, BLOCKS, LEAF SPRING ANTI-FRICTION PADS



- Add support to the weakest frame area
- Helps stop frame cracking in gear box location

### GM FRAME SUPPORT

Description	Part #
GM Frame Support Kit.....	121001

*Note: 73-87 1/2, 3/4 Ton PU 4WD, 88-91 Blazer, Jimmy, Suburban 4WD.*



### TRANSFER CASE DROP KITS

Application	Year	Part #
-------------	------	--------

#### CHEVY

Chevy Blazer, Jimmy, Suburban.....	73-91	121000
Chevy 1/2, 3/4 Ton Pickup 4WD.....	73-87	121000

#### DODGE

Dodge 3/4 Ton Pickup-Diesel .....	03-05	122602*
Dodge 3/4 Ton Pickup-Gas.....	03-05	122603*
Dodge 3/4 Ton Pickup-Diesel .....	2007	122605*
Dodge 3/4 Ton Pickup-Gas.....	2007	122606*

#### JEEP

Jeep CJ .....	76-86	124000
Jeep Wrangler YJ .....	87-95	124003
Jeep Wrangler TJ .....	97-02	124304
Jeep Wrangler TJ - 1-5/8" Drop.....	03-06	124305
Jeep Wrangler TJ - 3/4" Drop .....	03-06	124315
Jeep Cherokee XJ.....	84-01	124006
Jeep Grand Cherokee ZJ .....	93-98	124026
Jeep Grand Cherokee WJ.....	99-04	124027

*\*Will not work with 6 speed manual transmission*

### LEAF SPRING ANTI-FRICTION PADS

Part #	Description
129007.....	2" Wide Pads
129008.....	2.5" Wide Pads
129009.....	3" Wide Pads

*Notes: Will only fit BDS leaf springs. All of these kit #'s come with 10 individual pads.*



- Blocks are made of cast iron for strength
- Tapered for correct pinion angle
- Steel pin and hole are offset to restore axle position
- Blocks come in pairs
- 2", 3", 4", 5" blocks are black powder coated

### STANDARD BLOCKS

Part #	Description	Tapered	Pin Size	Hole Size	Notes
069589..	5/8"x2.5" Blocks .....	No.....	N/A.....	3/8" .....	1,2,3
069108....	1"x2.5" Blocks.....	No.....	N/A.....	7/16" .....	1,2,3
069109....	1"x3" Blocks .....	No.....	N/A.....	1/2" .....	1,2,3
069209.....	2" Blocks.....	Yes .....	9/16".....	9/16" .....	2,3
069207.....	2" Blocks.....	Yes .....	5/8".....	11/16".....	2,3
069206.....	2" Blocks.....	Yes .....	3/4".....	13/16" .....	2,3
069309.....	3" Blocks.....	Yes .....	9/16".....	9/16" .....	2,3
069308.....	3" Blocks.....	Yes .....	7/8".....	7/8" .....	2,3
069307.....	3" Blocks.....	Yes .....	5/8".....	11/16".....	2,3
069306.....	3" Blocks.....	Yes .....	3/4".....	13/16" .....	2,3
069409.....	4" Blocks.....	Yes .....	9/16".....	9/16" .....	2,3
069407.....	4" Blocks.....	Yes .....	5/8".....	11/16".....	2,3
069406.....	4" Blocks.....	Yes .....	3/4".....	13/16" .....	2,3
069509.....	5" Blocks.....	Yes .....	9/16".....	9/16" .....	2,3
069507.....	5" Blocks.....	Yes .....	5/8".....	11/16".....	2,3
069517.....	5" Blocks.....	No.....	5/8".....	11/16".....	2,3
069506.....	5" Blocks.....	Yes .....	3/4".....	13/16" .....	2,3

#### Notes

1. 5/8" and 1" blocks are made to be attached directly to the leaf pack via the center pin. Order center pins separately. See page 76.
2. Lift blocks are for rear axles only!
3. Not for use with Quadra-Steer rear axles.

### SPECIALTY BLOCKS



Part #	Application	Ht.	Flat	Pin Size	Pin Qty	Bump Stop Wing	Notes
069526	04-08 F150 4WD	5"	Yes	3/4"	2	Yes	
069527	99-02 F250, F350	5"	Yes	5/8"	1	Yes	
069216	04-10 F150 4WD	2"	Yes	3/4"	2	No	
069417	07-10 Tundra 4WD	4"	Yes	5/8"	1	No	
069119	09-10 F150 4WD	1"	Yes	n/a	2	No	1
069516	03-10 Dodge 3/4, 1Ton	5"	Yes	3/4"	1	Yes	2
069537	08-11 F250, F350	5"	Yes	5/8"	1	Yes	3

#### Notes

1. This block is designed to attach directly to the leaf pack via new center pins (#228014 x 2)
2. Includes 01599 press in center pins required for this block to be used.
3. Offset center pin and includes matching u-bolt plates.

# Accessories BRAKE LINES, SHOCK BOOTS, SHOCK BUSHING SETS

One-Piece Crimp Design      Protective Vinyl Cover      Stainless Steel Braid      Protective Layer      Kevlar Braid



- Virtually no volumetric expansion → Firmer brake pedal feel with less pedal effort.
- Hose assemblies comply with D.O.T. Federal regulations (MVSS-106) → Legal for street use in all 50 States.
- Teflon inner core (chemically inert) → Approved for use with all brake fluids, including D.O.T. 5 Silicone. Resists moisture, Very flexible.
- Five layer construction → Rugged construction that resists road shock and hazards. Higher fitting pull-off than other D.O.T. assemblies.
- Standard SAE female fittings and ends → Utilizes standard brake fittings and hardware.

## KEVLAR LINED STAINLESS STEEL BRAIDED BRAKE LINES

Application	Front	Rear	Lift	Length
<b>CHEVY</b>				
07-12 Silverado, Sierra, Tahoe, Yukon 4WD 1500	101002		6"	29.5"
1988-98 K1500, K2500 Pickup	101001	101009	6"	25"
1992-98 Blazer/Jimmy/Tahoe/Yukon 4WD Full Size	101001	101009	6"	25"
1992-98 Suburban 4WD	101001	101009	6"	25"
2011-12 Silverado/Sierra 2500 HD	101011		4-7"	28"
<b>DODGE</b>				
2006-12 Dodge Ram 1/2 Ton	102002		6"	22.5"
2003-11 Dodge Ram 3/4 Ton, 1 Ton	102001	102009	6"	31"/27"
<b>FORD</b>				
2004-08 F150 4WD	103002		6"	23"
2005-07 F250, F350 4WD	103001	103009	6"- 8"	30"/26"
2008-10 F250, F350 4WD	103801	103009	6"- 8"	33"/26"
<b>JEEP</b>				
2007-12 Wrangler JK	104002	104006	4-1/2" to 6-1/2"	22.5"/25"
1997-06 Wrangler TJ	104001	104009	3" to 6-1/2"	26"/26"
1987-95 Wrangler YJ	104001	104007	4-1/2" to 6-1/2"	26"/20.5"
1984-01 Cherokee XJ	104001	104008	3" to 6-1/2"	26"/20.75"

## SHOCK BOOTS—2-3/8"

Color	Retail (1/Pkg)	Bulk
Red	099270	099275
Blue	099500	099505
Yellow	099510	099515
Black	099520	099525

## SHOCK BOOTS—1-3/4" - 2"

Color	Retail (1/Pkg)	Bulk
Red	098270	098275
Blue	098500	098505
Black	098520	098525



## SHOCK BUSHING SETS

Part #	Description
07901X	Std hourglass shock eye 5/8" I.D. (2 per set)
07902X	Std hourglass shock eye 3/4" I.D. (2 per set)
07903X	Lg hourglass shock eye 3/4" I.D. (2 per set) *
07904X	Std Stem bushing 3/8" I.D. (4 per set)
07905X	Lg Stem Bushing 1/2" I.D. (4 per set)
079062	Lg Stem Bushing 3/8" I.D. (4 per set)*
079072	Std O.D. tall stem bushing 10mm I.D. (4 per set)
079082	Lg O.D. tall stem bushing 14mm I.D. (4 per set)

Note: X denotes color option (1 = blue, 2 = black, 3 = red).  
\* Only available in black.



ACCESSORIES

# Accessories URETHANE PRODUCTS, BUSHINGS & SLEEVES

## URETHANE PRODUCTS

Part #	Description	Color
170001	Pyramid Bump Stop	Black
170002	Low Profile Bump Stop	Blue
170012	Low Profile Bump Stop	Black
172301	Dodge 3" Extended Bump Stops	Blue
172501	Dodge 5" Extended Bump Stops	Blue
174001	TJ, ZJ, or XJ(84-96) Extended Bump Stops	Black
174002	'97-01 XJ Small Diameter Bump Stop	Black
174101	Jeep TJ Coil Spring Spacers 0.75"	Black
174102	'07 Wrangler JK Front 2" Coil Spacer	Black
174109	'07 Wrangler JK Rear 2" Coil Spacer	Black
174201	Jeep TJ, XJ, ZJ Coil Spring Spacers 1.75"	Black



Note: All products come as a pair.

## BUSHINGS & SLEEVE KITS

PER SPRING

Year	Description	Part#	Notes
<b>CHEVROLET/GMC</b>			
1973-87	Front 1/2, 3/4 Ton Pickup, Blazer, Suburban Spring Eye Bushings	071002	
1973-87	Rear 1/2 Ton Pickup, Blazer, Suburban Spring Eye Bushings	071009	
1988-91	Front Blazer, Jimmy, Suburban 4WD	071003	
1995-05	S-Series 4WD Control Arm Bushing Kit (does one control arm)	071008	3
1988-98	Rear 1/2 Ton Spring Eye Bushings	071107	
1999-06	Rear 1/2 Ton Spring Eye Bushings	071007	3
2007-12	Rear 1/2 Ton Spring Eye Bushings	071006	
<b>DODGE</b>			
1969-93	Front W100/200 Except 200HD Pickup Spring Eye Bushings	072001	
1994-99	Link Bushing/Sleeve Kit 1/2, 3/4 Ton Pickup 4WD (does all 4 links) Short Arm	072005	3
1994-99	Link Bushing/Sleeve Kit 1/2, 3/4 Ton Pickup 4WD (does all 4 links) Long Arm	072106	3
2000-01	Link Bushing/Sleeve Kit 1/2, 3/4 Ton Pickup 4WD (does all 4 links) Short Arm	072006	3
2000-01	Link Bushing/Sleeve Kit 1/2, 3/4 Ton Pickup 4WD (does all 4 links) Long Arm	072105	3
2003-09	Link Bushing/Sleeve Kit 3/4 Ton Pickup 4WD (does all links) Short Arm	072307	3
2010-12	Link Bushing/Sleeve Kit 3/4 Ton Pickup 4WD (does all links) Short Arm	072207	3
2003-12	Link Bushing/Sleeve Kit 3/4 Ton Pickup 4WD (does all links) Long Arm	072107	3
<b>FORD</b>			
1980-96	BDS Extended Radius Arm Bushings (both sides)	073002	3
1997-03	F-150 Rear Spring Bushing Kit	073009	3
2005-12	F250/F350 4-Link Bushing Kit	073003	
<b>JEEP</b>			
1976-86	Front CJ Spring Eye Bushings	074001	
1976-86	Rear CJ Spring Eye Bushings	074009	
1976-86	CJ Shackle Bushing Kit (does all 4 frame/shackle mounts)	074002	2
1987-95	YJ Front or Rear Spring Eye Bushings (BDS Springs)	074000	3
1987-95	YJ Front or Rear Spring Eye Bushings (Stock)	074006	
1987-95	YJ Frame/Shackle Kit (does all 4 frame/shackle mounts)	074004	
1987-95	YJ Anti-Sway Bar Link Bushing Kit (does 1 link)	079011	3
2007-12	BDS JK Lower Control Arm Bushing Kit (does both lower links)	074100	
2007-12	BDS JK Front Track Bar Bushing Kit	074104	
1997-03	BDS TJ, XJ, ZJ Lower Control Arm Bushing Kit (does both lower links)	074005	3
1997-05	BDS TJ, XJ, ZJ Upper Control Arm Bushing Kit	074007	3, 4
1997-06	TJ, XJ, ZJ Front Track Bar Bushing Kit - Axle Mount (124423)	074102	3
1997-06	TJ, KJ, ZJ Front Track Bar Bushing Kit - Axle Mount (124601,2,11)	074020	3
1984-01	XJ Rear Spring Eye Bushings	074008	
1984-01	TJ, XJ, ZJ Lower Control Arm Bushing Kit (does 2 arms) - bushings only	074100	3
1984-01	XJ Frame Shackle Bushings (does both frame/shackle mounts) stock	074101	
1984-06	BDS Track Bar Flex Joint Bushings (pair) & Ball Stud	074103	
<b>SUZUKI</b>			
1985-95	Samurai Front or Rear Spring Eye Bushings	077000	1
1984-01	BDS XJ Boomerang Shackle Bushing Kit	074109	

### ORDER TWO BUSHING/SLEEVE KITS WHEN ORDERING TWO SPRINGS

Note

1. Includes shackle bushings.
2. Includes bushings for all 4 frame shackles.
3. These are replacement bushings and sleeves for BDS springs/components only.
4. Does 2 front arms or 1 rear arm.

